

## Three-hole mixer

20 815 892



- 235 mm projection
- pivotable spout 360°
- air-enriched flow
- height of mixer 370 mm
- height up to aerator 212 mm
- hole diameter spout 35 mm
- hole diameter valve 32 mm
- max. flow 7 l/min at 3 bar flow pressure
- lead-free
- This product can help a building to meet requirements of Green Building Rating Systems, e.g. LEED®, BREEAM®, DGNB

	Matte Black	20 815 892-33
	Chrome	20 815 892-00
	Brushed Platinum	20 815 892-06
	Platinum	20 815 892-08
	Durabronze (23kt Gold)	20 815 892-09
	Dark Chrome	20 815 892-19
	Brushed Durabronze (23kt Gold)	20 815 892-28
	Brushed Champagne (22kt Gold)	20 815 892-46
	Champagne (22kt Gold)	20 815 892-47
	Brushed Chrome	20 815 892-93
	Brushed Dark Platinum	20 815 892-99

### Recommended miscellaneous

**Dispenser with rosette**

82 434 970-33



### Recommended miscellaneous

**Strainer waste with control handle** 10 710 970-33



### Recommended miscellaneous

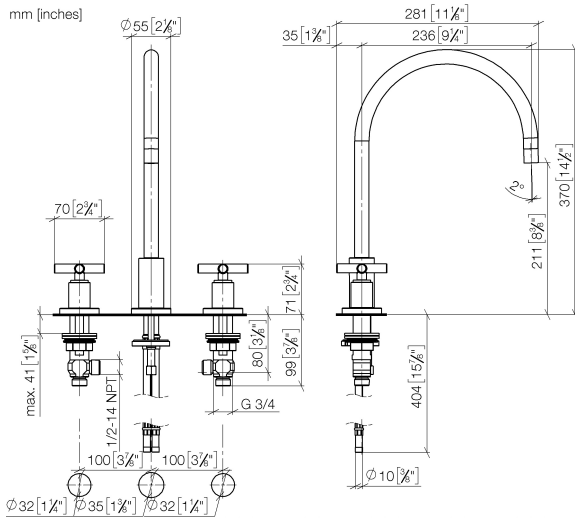
**Dispenser with rosette**

82 444 970-33

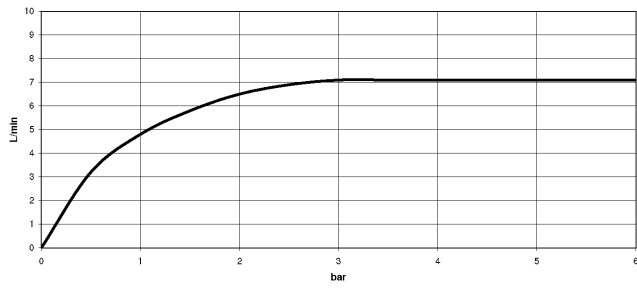


## Three-hole mixer

20 815 892



## Flow rate chart



## Three-hole mixer

20 815 892

Parts for other  
finishes can be found  
here: [Chrome](#)

